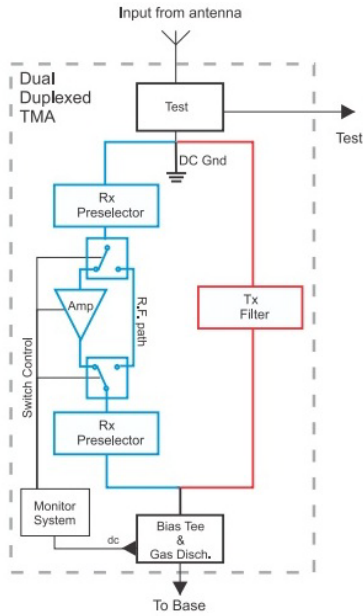


# PUBLIC SAFETY TOWER MOUNTED AMPLIFIER

## Dual Duplexed • PS 700 MHz

**TMA70-0-SD**

### TMA70-0-SD Block Diagram



Dual Duplexed Tower Mounted Amplifier  
700 MHz band



### Uplink (Rx) Specification

### Value

Frequency range	794 - 806 MHz
Bandwidth	12 MHz
RF Gain, nominal	12 dB
Gain variation	+/- 0.5 dB
In-Band Ripple	+/- 0.6 dB
InBand Roll Off	<1.2 dB
Gain variation in temperature range	+/- 1.5 dB
Rejection to Tx band (764 - 776 MHz)	>85 dBc
Bypass Mode	Feature included
RF Loss In Bypass Mode	< 3 dB
Impedance	50 Ω
Return Loss	>18 dB
Noise figure at room temperature	<1.8 dB typ, <2.1 dB max, <2.3 over temperature range
Output 1 dB compression	>+16 dBm
OIP3	>+28 dBm

DOC TM039.01 - 25082014  
 Fiplex is a registered trademark of Fiplex Communications, Inc.  
 Fiplex Communications, Inc. reserves the right to change specifications without prior notice.



www.fiplex.com • info@fiplex.com

# PUBLIC SAFETY TOWER MOUNTED AMPLIFIER

## Dual Duplexed • PS 700 MHz

**TMA70-0-SD**

### Downlink (Tx) Specification

	Value
Frequency range	764 - 776 MHz
Bandwidth	12 MHz
Insertion Loss	0.5 dB typ, 0.7 dB max
Impedance	50 $\Omega$
Return Loss	>18 dB
Rx Band Rejection	>50 dB
Power Handling	400 Watts max
IMD at Uplink band	<115 dBm at 2 x +43 dBm

### General specifications

	Value
VSWR monitoring	No
RF connector	7/16 Female
Operating temperature	-40° to 158° F • -40° to +70° C
Relative humidity	5 to 99%
Lighting protection, base port	8/20 uS 10 kA
Lighting protection, antenna port	1/4 wavelength grounded (DC GND)
DC voltage	11 to 18 VDC
DC current consumption	170 mA LNA ON
DC Injection	Via TO BASE connector
Environmental	IP68
Dimension	10.2 x 5 x 3.9 inches • 260 x 126 x 100 mm
Mounting	Brackets for pole mounting, 2 to 6 OD
Mounting brackets	Included
Grounding cables	Included

